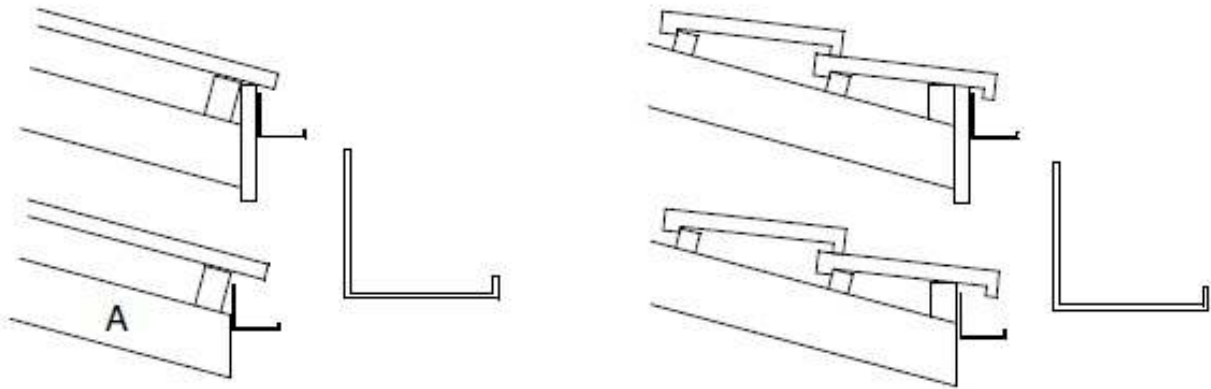
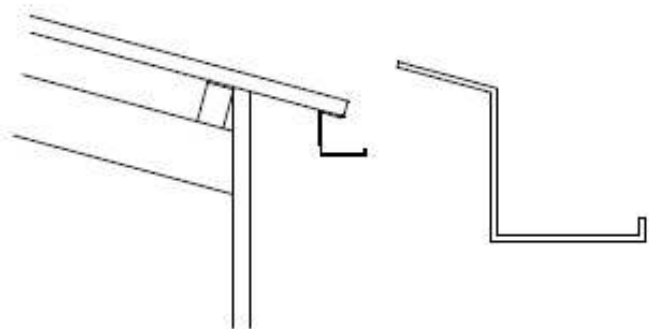


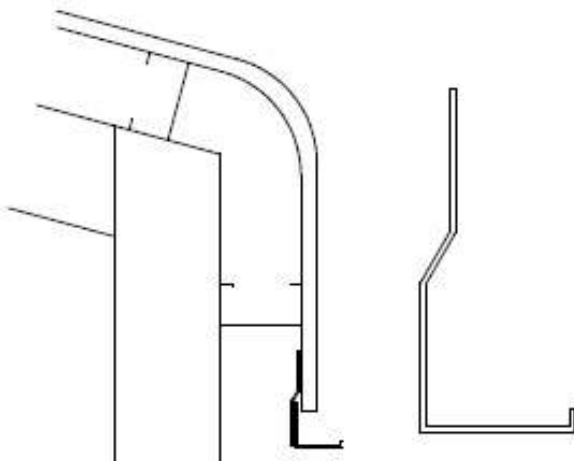
## STEEL EXTENAL FITTING BRACKETS



Fascia fix brackets can be used on both steel and tile roofs where internal hidden brackets would hinder the cleaning of gutters in wooded areas or where fascia boards are not fitted (A) and brackets can only be fitted at 1.2 meter centers where the trusses are found. (Internal hangers must not exceed 600mm centers apart)



Roof-fix brackets are used where the sheet overhang exceeds the side of the building



Bullnose brackets are offset and attached to the sheeting to catch the rain water